

# Monitor Panel

# PM-608



## FEATURES

### ❖ OUTPUT POWER MONITORING

With the selection switches on this unit, the output level of each 8 units of power amp is checked as well as monitoring of them are available.

### ❖ LED LEVEL METER

The output levels of power amplifiers on operating are displayed on each of 8 LED level meter.

### ❖ BUILT-IN MONITOR SPEAKER

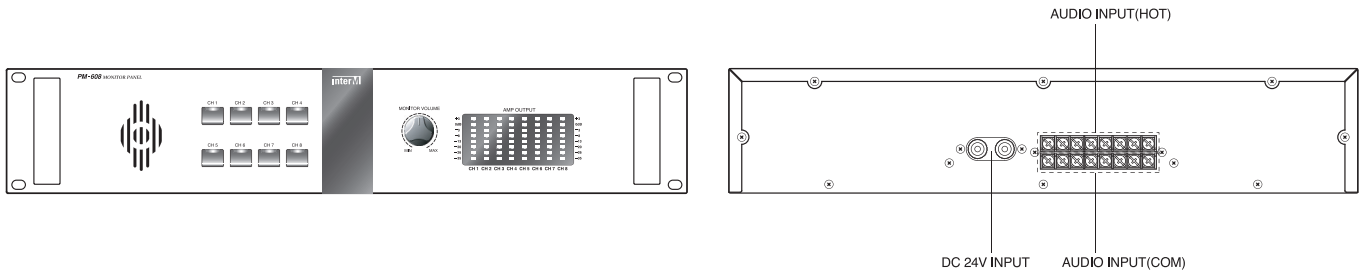
High sufficient speaker provides the clear and rich sound with users to check the status of output of each amplifier. The level of monitor speaker is adjustable by the designated switch.

## SPECIFICATIONS

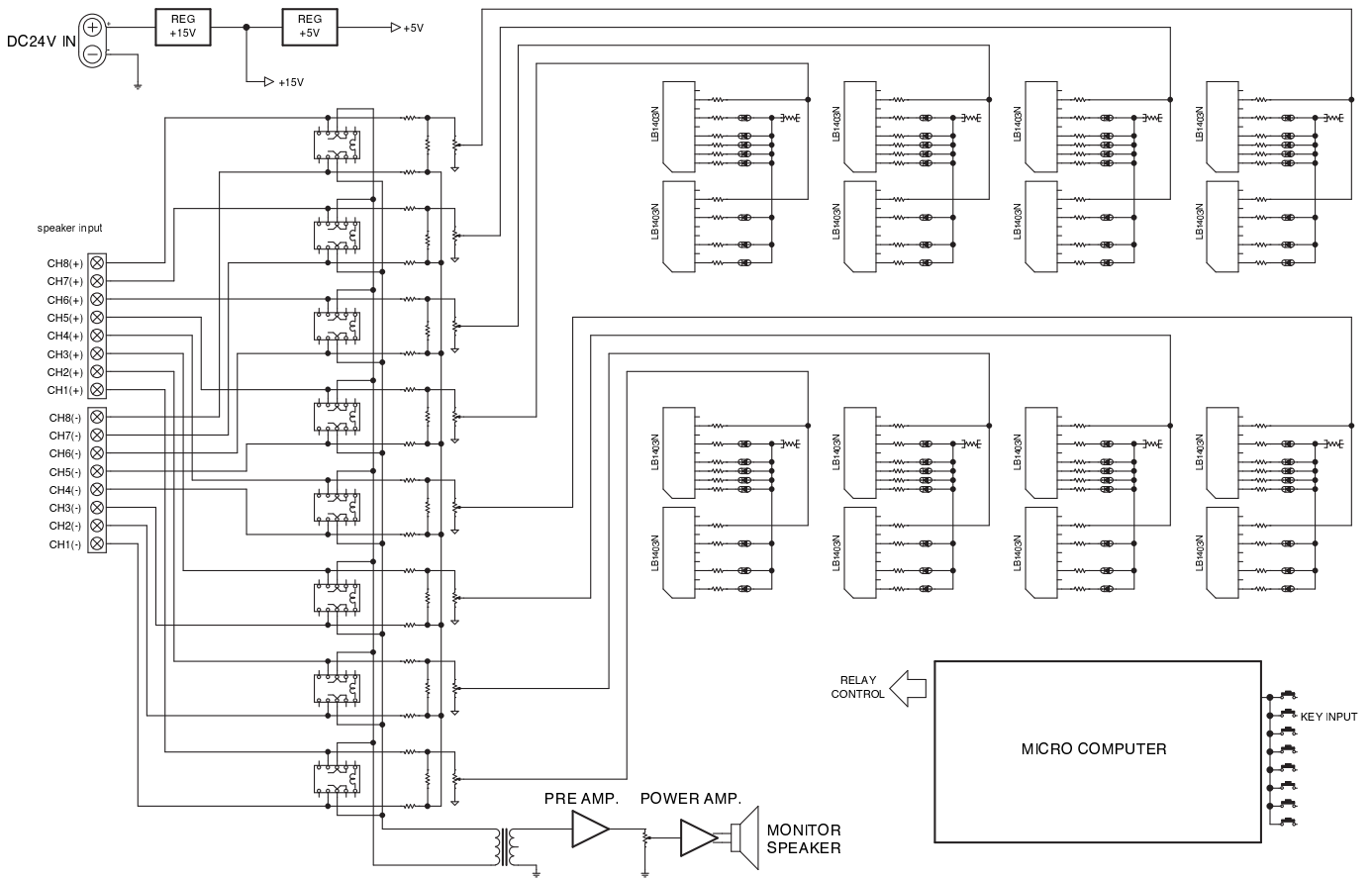
	PM-608
Outside Inputs	8-100V or 70V inputs
LED Monitor Outputs	8 simultaneous outputs
Operation Temperature	-10°C ~ +40°C
Power Source	24V DC
Power Consumption	450mA
Weight (SET)	4.5kg/9.9lb
Dimensions (SET)	482(W)x88(H)x380(D)mm/19(W)x3.5(H)x15(D)in

\* Specifications and design are subject to change without notice.

# Monitor Panel PM-608



## BLOCK DIAGRAM



### Inter-M Corporation

- OFFICE: 653-5 BANGHAK-DONG, DOBONG-KU, SEOUL, KOREA  
 - TEL : +82-2-2289-8140~8, FAX : +82-2-2289-8149

- Home page: <http://www.inter-m.com>  
 - E-mail: [overseas@inter-m.com](mailto:overseas@inter-m.com)  
 - Printed in Korea